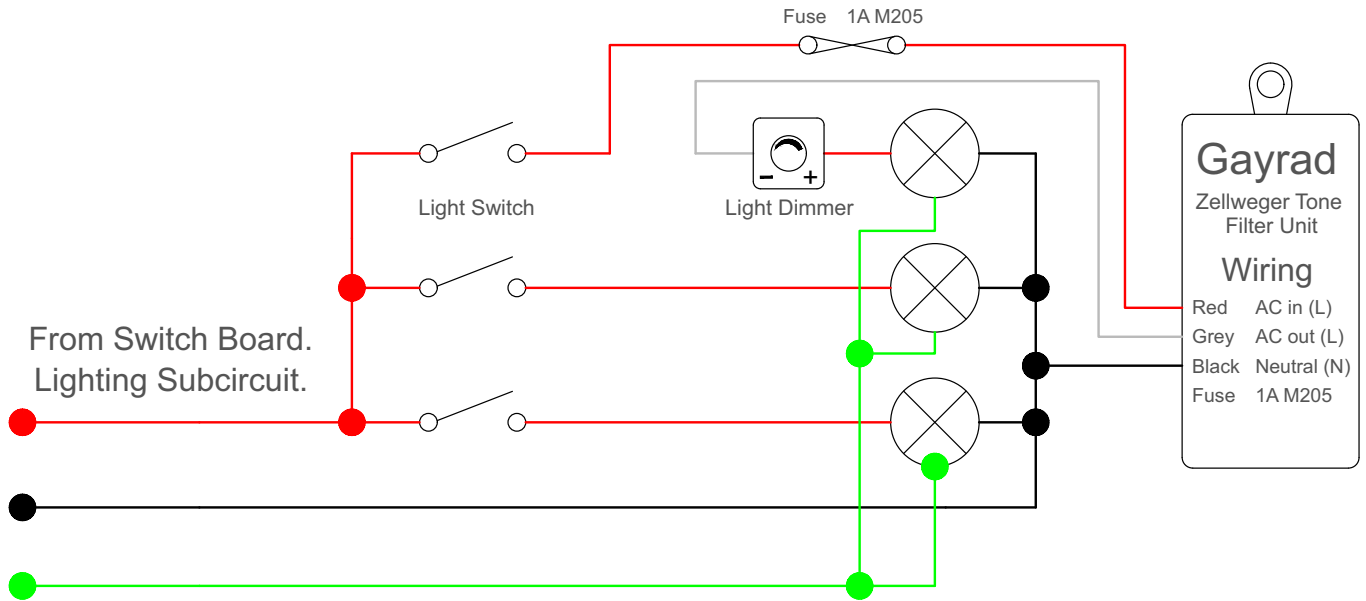


# ZF180

## Wiring Instructions.

Installation on a circuit with separate light switch and dimmer.

When installing within a circuit that has a separate light switch and dimmer, the ZF180 is wired *between* the light switch and the dimmer. This allows the ZF180 to be de-energized when the light switch is off.



Installation on a circuit with combined light switch and dimmer.

When installing within a circuit that has a combined light switch and dimmer, the ZF180 is wired *before* the combined light switch and dimmer.

